



PROVEN PERFORMER

Vended Laundry

SFNNXASP303NN26 (Front Loading Washer)

Front Loading Washer Features

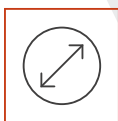
- Improved suspension with new out-of-balance logic
- High spin speed up to 1,200 RPM removes more water from clothes, speeding up drying cycles and lowering dryer energy usage
- Heavy-duty construction
- A pump drain allows our front load washers to be installed adjacent to or replace top load washers with no special plumbing
- Redesigned supply dispenser features four compartments and automatically dispenses as needed for a complete wash

A Proven Performer

For more than a century Speed Queen has been focused on laundry, we know what it takes to deliver a machine with long-lasting strength, durability and performance like no other.



STANDARD STAINLESS STEEL DRUM



LARGE DOOR OPENING



LOW WATER CONSUMPTION



LOW ENERGY CONSUMPTION



COMPACT DESIGN

Controls

Quantum™ Gold

In addition to its network capabilities and off-site management features, Quantum™ Gold offers additional owner and customer benefits such as PC programming and machine audit capabilities, as well as time-of-day pricing, a “lucky cycle” for loyal customers and the ability to interface with the store owner’s payment systems.

Cycle modifier keys create additional profit opportunities for store owners.



SFNNXASP303NN26

		SFNNXASP303NN26
GENERAL DETAILS		
Type		Front Load Washer
Control		Quantum Gold
Control location		Front
Actuation		Prep for coin
DRUM		
Capacity	[kg]	10.5
Cylinder volume	[l]	96.8
DRUM SPEED		
Spin speed G-Force		440
Spin speed RPM		1200
MOTOR		
Motor power	[kW]	0.67
CABINET		
Cylinder finish		Stainless
Colour		Stainless
HEATING		
Heat source		N/A
Heating power		N/A
CONNECTION		
Water inlet	["]	3/4
Water pressure	[Bar]	1.4-8.3
Drain		Pump
OPERATION		
Cycles*		6
Water temperatures		3
Water consumption pre cycle**	[l]	51.8
Cycle indicator lights		Yes
POWER		
Electrical requirements	[V/Hz/Phase]	230/50/1
TRANSPORT DATA		
Net weight	[kg]	118
Shipping weight	[kg]	122
Dimensions H×W×D	[mm]	1126×683×704
Packing dimensions H×W×D	[mm]	1156×762×864
Volume	[m ³]	0.75
WARRANTY		
		3 years warranty on parts

* Information provided applies to premier control offered by product class.

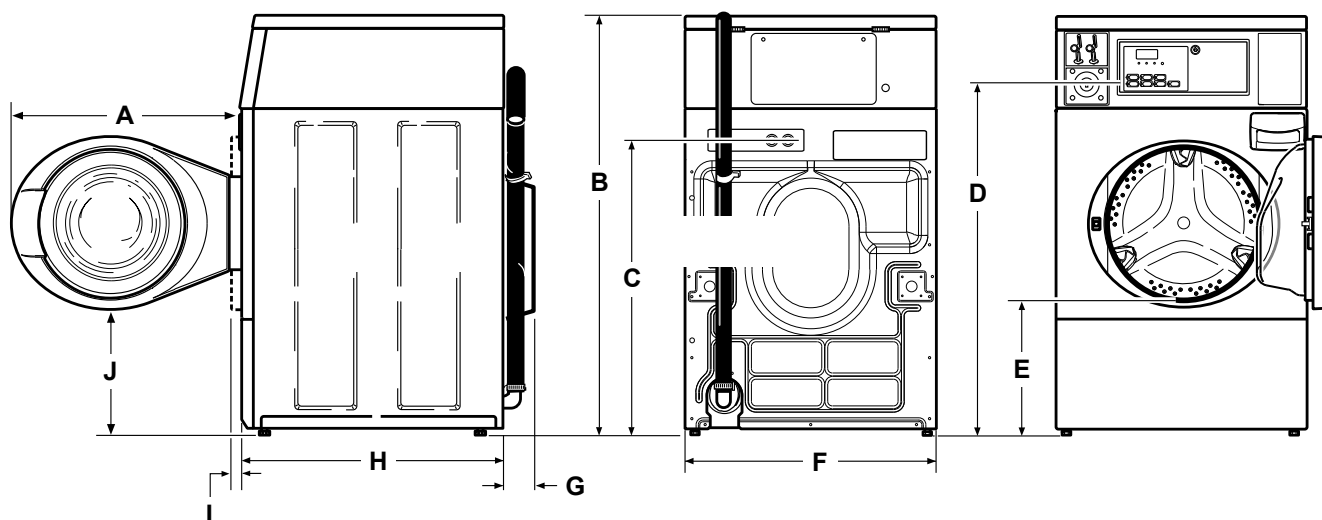
** Based on DOE test procedure



Dimensions

Front Loading Washer

	A	B	C	D	E	F	G	H	I	J
SFNNXASP303NN26	610	1126	813	938	371	683	52	704	40	333



All measurements are in mm. *With levelling legs turned into base.

NOTE: Exhaust openings are 102 mm metal ducting.



